

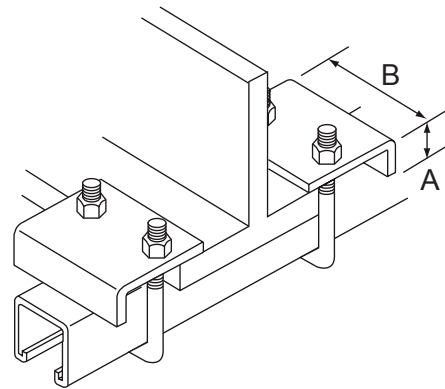
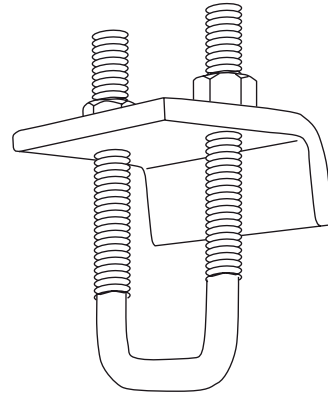


## Beam Clamp for Strut Channel

### ZTA

#### Technical Features

- **Sizes:**  
To fit Strut Channels : 21x41, 41x41, 62x41, 83x41
- **Material :** Carbon steel
- **Finish :** Hot Dipped Galvanized



#### Beam Clamp - ZTA

#### Physical Data

Reference	Compatible Profiles	Screw Size	Dimensions (mm)		Box Qty.	Weight (x1) (kg / lbs)
			A	B		
387700	21x41 41x41	M10	25	100	10	0,26 / 0.57
388005	41x41 Double 61x41 83x41	M10			10	0,26 / 0.57
388065	61x41 Double	M10			10	0,26 / 0.57
388075	83x41 Double	M10			10	0,26 / 0.57